

# PA-3211

› One-of-a-kind highly integrated 10.1" RISC POS terminal

**NEW**



## Features



- Fanless design with action S500
- 10.1" LCD display with bezel-free capacitive touch
- Flexible design for versatile applications
- Optional MSR / i-Button / VFD / Printer
- Optional integrated wireless LAN
- Support Android 5.1 version

## Specifications



System	CPU Support	ARM Cortex-A9
	Memory	DDR3L1GB on board
	Storage (Flash)	16GB eMMC on board
	Network	10/100 Mbps Ethernet
	Power Supply	60 Watt power adapter
	Audio	2W speaker
	System Weight	with power adaptor approx. 4Kg
	Dimensions	299 x 148 x 300 mm (W x H x D)
	O.S. Support	Android 5.1
I/O Ports	Standard SDHC	up to 32GB
	USB	on rear 1 x USB 2.0 1 x Micro USB for image update only
		on side bezel 1 x USB 2.0
	Serial Ports	All +5V/12V selectable on rear 1 x DB9 (RX, TX, RTS, CTS)
		Internal 3 x Wafer (RX, TX) for Reserve
	LAN	1 x RJ45
	VGA	1 x DB15
Cash Drawer	1 x RJ11 (+12V or +24V selectable)	
DC-in	1 x 4pin DC Power Jack	
Peripherals	Customer Display	VFD, 20 columns and 2 lines, each column is 5 x 7 dots / UART interface
	Printer	2" or 3" easy loading thermal printer with auto-cutter / USB interface
	MSR & iButton	ISO I/II/III; JIS I/II / UART interface
Display	LCD	10.1" TFT LCD
	Resolution	1280 x 800
	Brightness	400 cd/m <sup>2</sup>
	Touch Screen	10.1" capacitive touch panel
	Tilt Angel	24 ~ 30 degrees
Environment	EMC & Safety	CE / FCC
	Operating Temp.	0 ~ 35°C
	Storage Temp.	-20 ~ 60°C
	Humidity	20 ~ 90%

\*Panel LED Backlight operating lift time: 30,000 hrs (Ta=25°C), if Ta=35°C, Panel LED Backlight will be reduced to: 26,000 hrs.

\*All information contained in this document is subject to change without prior notice. Please log on [www.protech.com.tw](http://www.protech.com.tw) to acquire latest information.

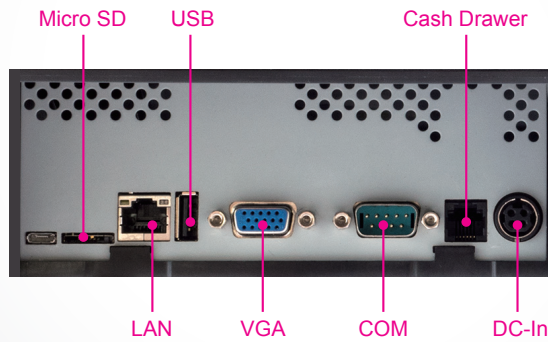
## Applications

- Automation
- Retail / Chain Store
- Transportation
- Food Service
- Finance
- Information

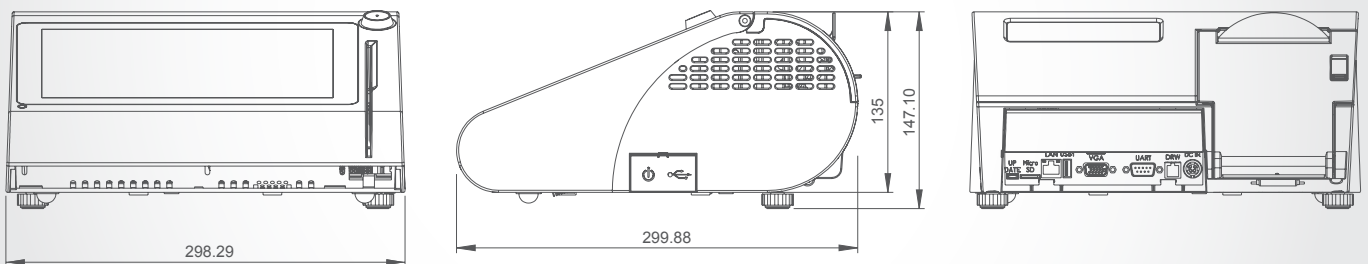
## Highlights



## System I/O Ports



## Dimensions



unit: mm